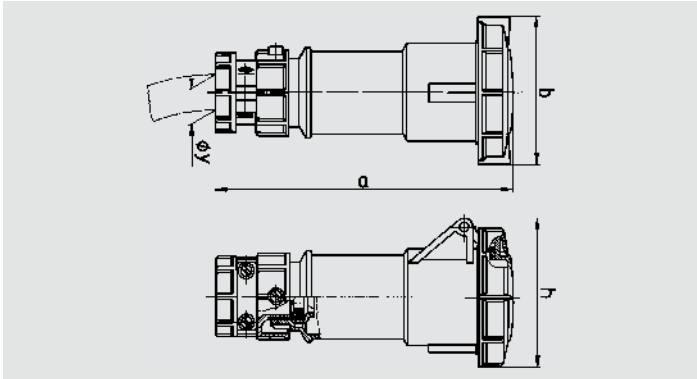


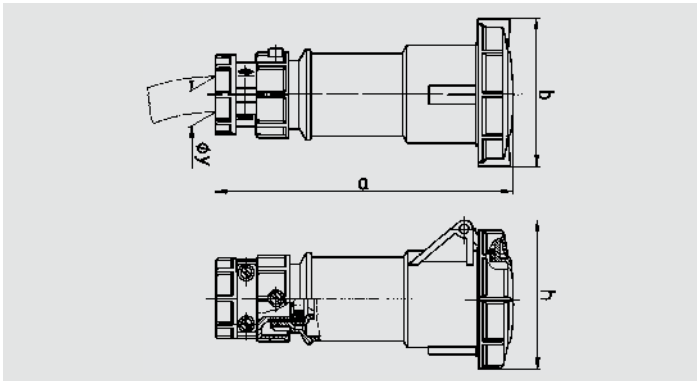
Series 309 - Pin & Sleeve Devices.
Connectors

20 Amp - 100 Amp
Watertight



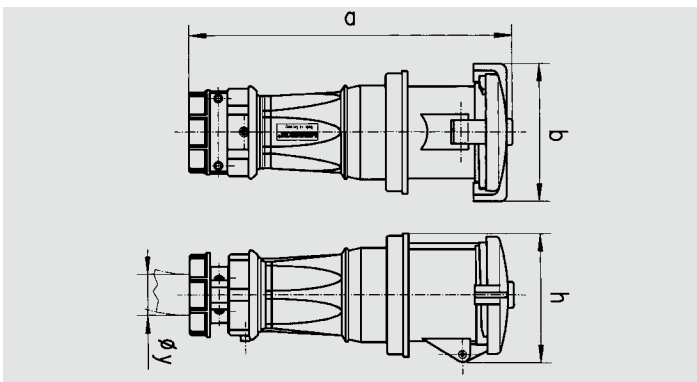
Approximate Dimensions (in inches)

	Wire Configuration		
	2 Pole, 3 Wire	3 Pole, 4 Wire	4 Pole, 5 Wire
a	6.85	7.28	7.92
b	2.84	3.11	3.47
h	3.11	3.47	3.74
y			
Cord Diameter	.36-.76	.36-.76	.45-.94
Threaded Entry (NPT)	3/4	3/4	1



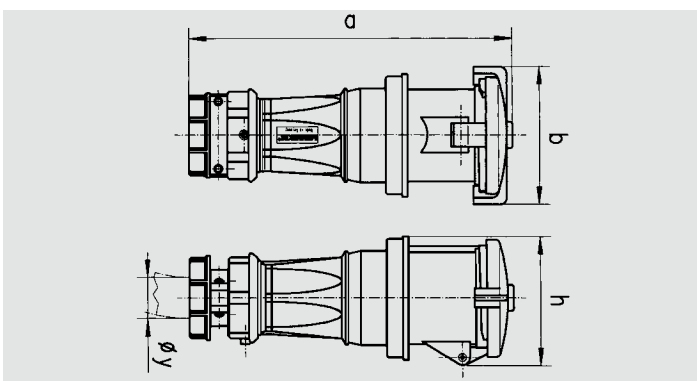
Approximate Dimensions (in inches)

	Wire Configuration		
	2 Pole, 3 Wire	3 Pole, 4 Wire	4 Pole, 5 Wire
a	8.78	8.78	9.18
b	3.78	3.78	4.02
h	3.90	3.90	4.17
y			
Cord Diameter	.43-.94	.43-.94	.43-1.12
Threaded Entry (NPT)	1	1	1 1/4



Approximate Dimensions (in inches)

	Wire Configuration		
	2 Pole, 3 Wire	3 Pole, 4 Wire	4 Pole, 5 Wire
a	10.39	10.39	10.39
b	4.65	4.65	4.65
h	4.45	4.45	4.45
y			
Cord Diameter	.57-1.42	.57-1.42	.57-1.42
Threaded Entry (NPT)	1 1/2	1 1/2	1 1/2



Approximate Dimensions (in inches)

	Wire Configuration		
	2 Pole, 3 Wire	3 Pole, 4 Wire	4 Pole, 5 Wire
a	12.60	12.60	12.60
b	5.31	5.31	5.31
h	4.88	4.88	4.88
y			
Cord Diameter	.98-1.97	.98-1.97	.98-1.97
Threaded Entry (NPT)	2	2	2

**Connectors
20 Amp**


* Available in splashproof. To order, omit W suffix.

Wire Configuration	Voltage	Catalog Number*
2 Pole 3 Wire	125	ME 320C4W
	250	ME 320C6W
	480	ME 320C7W
3 Pole 4 Wire	125/250	ME 420C12W
	3Ø250	ME 420C9W
	3Ø480	ME 420C7W
	3Ø600	ME 420C5W
4 Pole 5 Wire	3ØY120/208	ME 520C9W
	3ØY277/480	ME 520C7W
	3ØY347/600	ME 520C5W

**Connectors
30 Amp**


* Available in splashproof. To order, omit W suffix.

2 Pole 3 Wire	125	ME 330C4W
	250	ME 330C6W
	480	ME 330C7W
3 Pole 4 Wire	125/250	ME 430C12W
	3Ø250	ME 430C9W
	3Ø480	ME 430C7W
	3Ø600	ME 430C5W
4 Pole 5 Wire	3ØY120/208	ME 530C9W
	3ØY277/480	ME 530C7W
	3ØY347/600	ME 530C5W

**Connectors
60 Amp**


* Available in splashproof. To order, omit W suffix.

2 Pole 3 Wire	125	ME 360C4W
	250	ME 360C6W
	480	ME 360C7W
3 Pole 4 Wire	125/250	ME 460C12W
	3Ø250	ME 460C9W
	3Ø480	ME 460C7W
	3Ø600	ME 460C5W
4 Pole 5 Wire	3ØY120/208	ME 560C9W
	3ØY277/480	ME 560C7W
	3ØY347/600	ME 560C5W

**Connectors
100 Amp**


2 Pole 3 Wire	125	ME 3100C4W
	250	ME 3100C6W
	480	ME 3100C7W
3 Pole 4 Wire	125/250	ME 4100C12W
	3Ø250	ME 4100C9W
	3Ø480	ME 4100C7W
	3Ø600	ME 4100C5W
4 Pole 5 Wire	3ØY120/208	ME 5100C9W
	3ØY277/480	ME 5100C7W
	3ØY347/600	ME 5100C5W